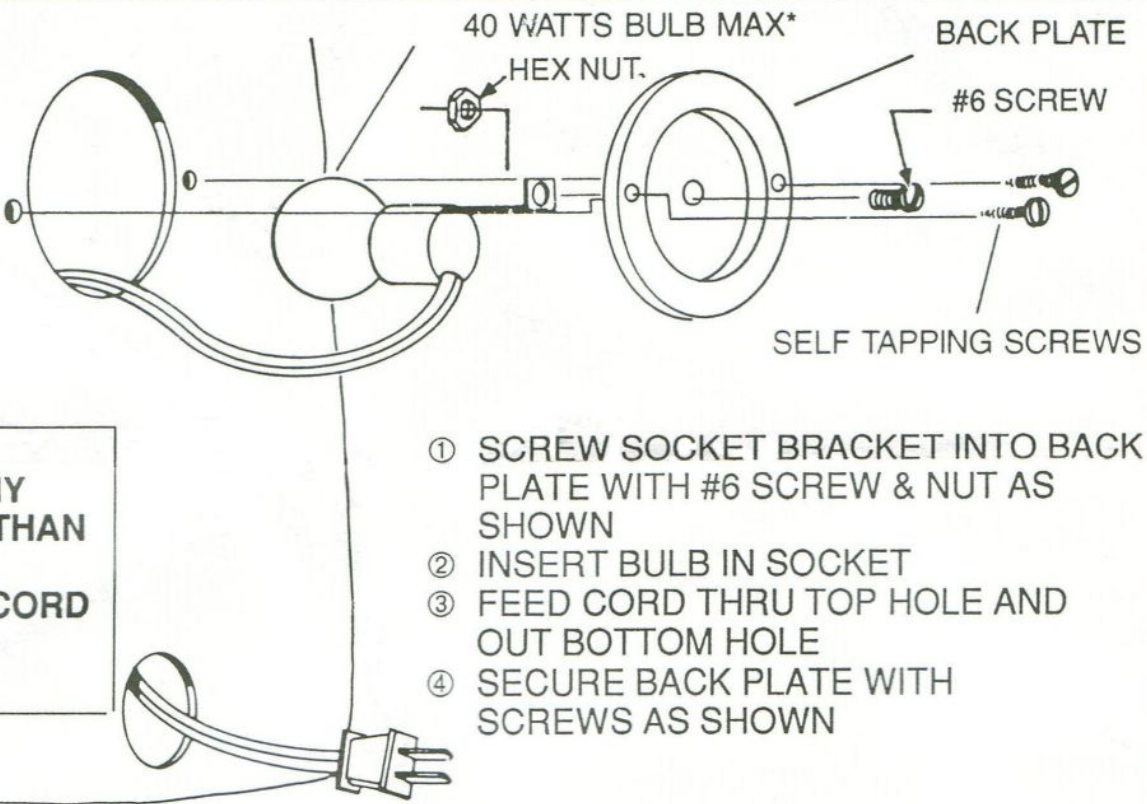


BULB SOCKET INSTALLATION

EDISON BASE

TPI

READ BEFORE STARTING



40 WATTS BULB MAX*

HEX NUT.

BACK PLATE

#6 SCREW

SELF TAPPING SCREWS

* **WARNING:**
DO NOT USE ANY BULB LARGER THAN 40 WATTS.
DO NOT WRAP CORD AROUND BULB OR SOCKET

- ① SCREW SOCKET BRACKET INTO BACK PLATE WITH #6 SCREW & NUT AS SHOWN
- ② INSERT BULB IN SOCKET
- ③ FEED CORD THRU TOP HOLE AND OUT BOTTOM HOLE
- ④ SECURE BACK PLATE WITH SCREWS AS SHOWN

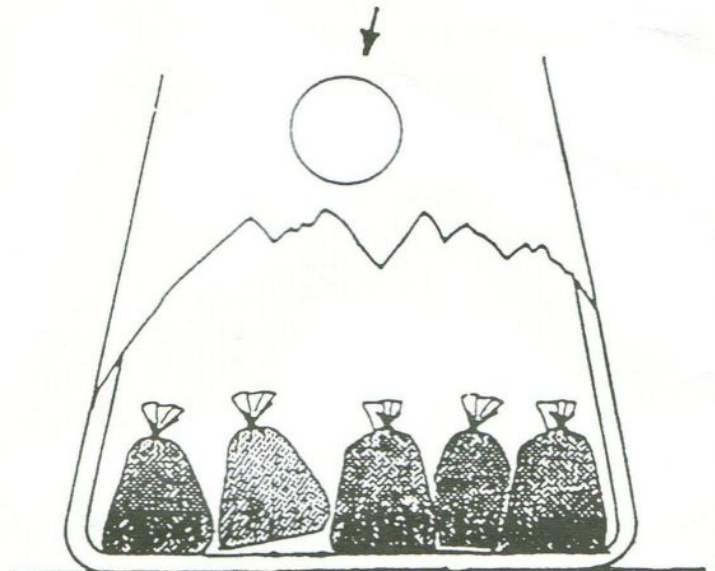
HOW TO INSTALL BALLAST FOR OUTDOOR USE

① FILL SMALL PLASTIC SANDWICH BAGS WITH BALLAST* (NOT INCLUDED)



② PLACE THE BALLAST ON THE INSIDE OF THE BASE OF FIGURE AS SHOWN

DROP BALLAST THROUGH OPENING



* USE SAND, GRAVEL, SOIL, ETC.