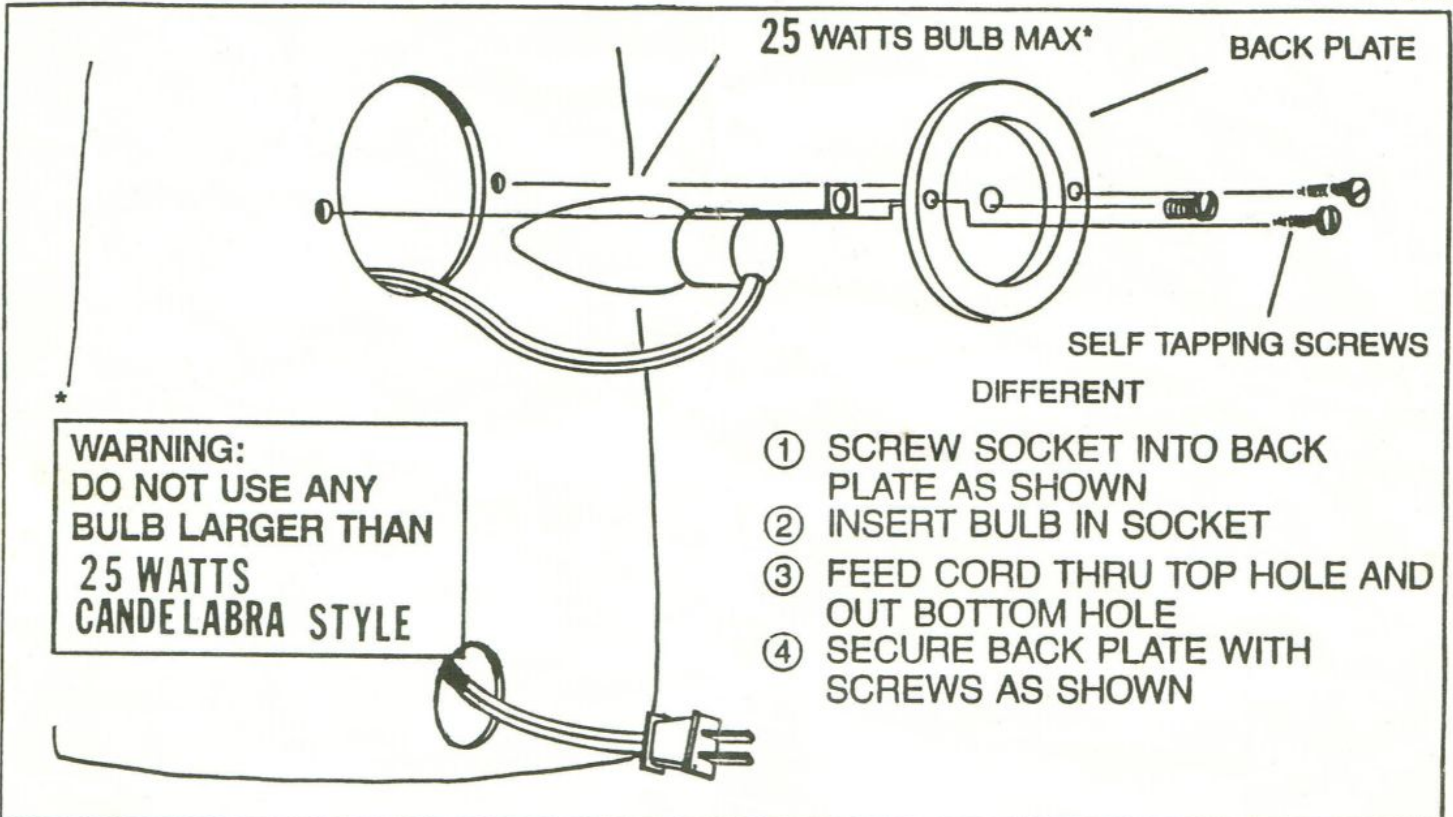


BULB SOCKET INSTALLATION

(C 25)

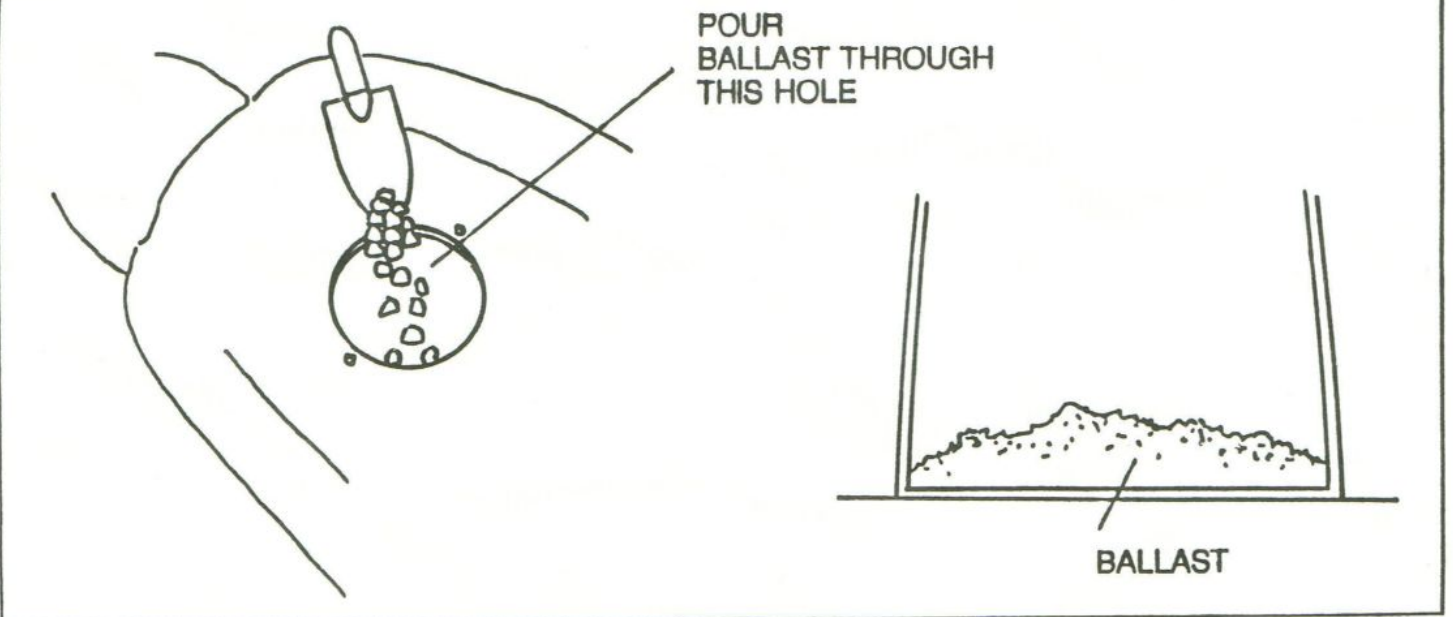
READ BEFORE STARTING

TPI rev1



HOW TO INSTALL BALLAST FOR OUTDOOR USE

FOR INCREASED STABILITY, USE SMALL ROCKS, SAND, SOIL, ETC, FOR BALLAST. PLACE BALLAST THROUGH HOLE IN BACK (BEFORE INSTALLING BULB AND SOCKET).



Candelabra

PRINTED IN USA